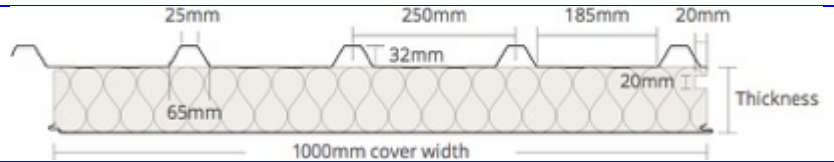


PATIO KITS ONLINE
patiokitsonline@gmail.com
www.patiokitsonline.com.au

PATIO KIT SELECTION FOR QLD, NSW, VIC
 Bondor® SolarSpan® & Solaris® RidgePanel®
 Naturelite® Skylight

Bondor® Naturelite® skylight system is designed for exclusive use with
 Bondor® SolarSpan® & Solaris® RidgePanel® Insulated roofing panel
 To increase natural light into outdoor living areas

Premium Insulated Roofing Panel
 Bondor SolarSpan®
 Solaris RidgePanel®
 2° Min Pitch



Premium Insulated Roofing Panel
 PROFILE
 Bondor SolarSpan®
 Solaris RidgePanel®



NATURELITE® KIT

3 piece kit

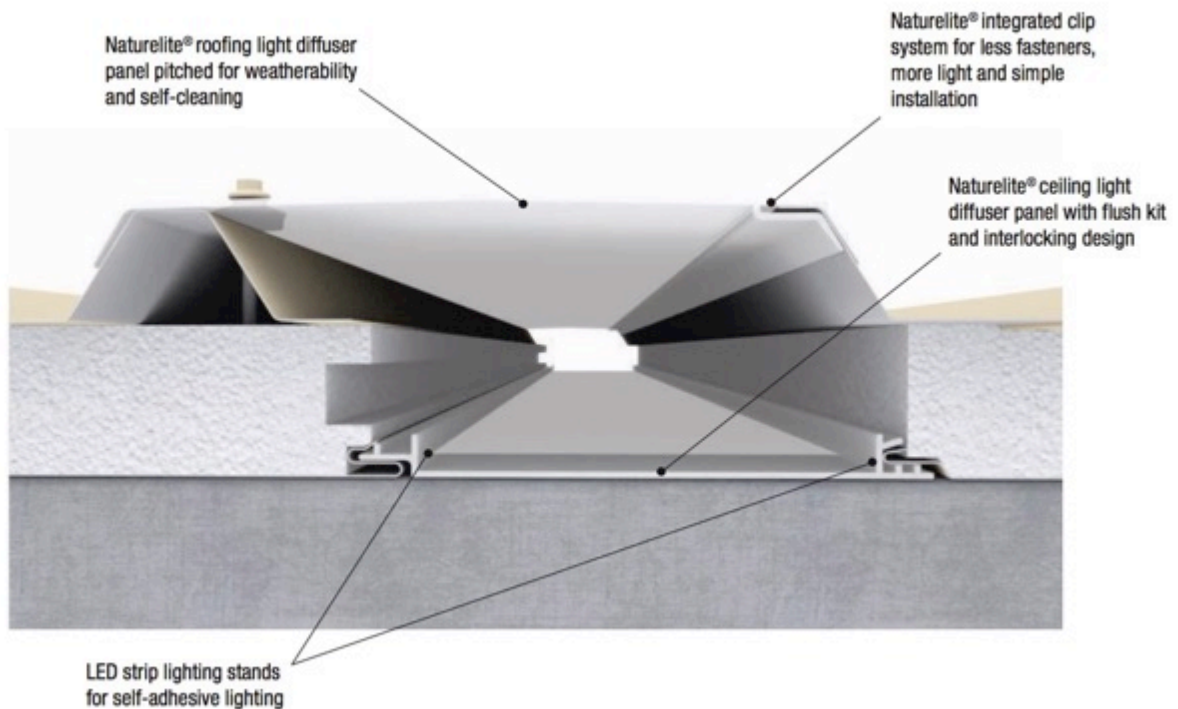
Naturelite® Skylights Top panel diffuser

Naturelite® Skylights smooth ceiling underside diffuser

Insert

NON – Cyclonic only.

Interlocking with Bondor® SolarSpan® & Solaris® RidgePanel® Insulated roofing panel
 With minimal fixings
 Lengths 5000mm & 7500mm
 Trim lengths to suit



PATIO KITS ONLINE
patiokitsonline@gmail.com
www.patiokitsonline.com.au

PATIO KIT SELECTION FOR QLD, NSW, VIC
Bondor® SolarSpan® & Solaris® RidgePanel®
Naturelite® Skylight

SolarSpan® & RidgePanel® roof panels are serviceable up to 140kg/m² of live load.
Naturelite® skylight panels are non-trafficable & stepping on or near skylight panels must be avoided
Naturelite® skylight panels should be used in open outdoor patio applications.

Cannot be used in cyclonic regions

Skylights are not for Inside house or commercial roofing purposes

Installation of Naturelite® skylights BEST between two
Solarspan® or RidgePanel® panels on either side.

Solarspan® & RidgePanel® maximum spans may need to be reduced to compensate for the addition of
a Naturelite® skylight.

Unsupported Insulated roofing panel Span

2 full SolarSpan roofing panels in between

When using SolarSpan Naturelite® skylight with minimum of 2 full SolarSpan panels in between,
Unsupported Spans are to be reduced by 10%

1 full SolarSpan panels in between (Not recommended for long Spans)

If using SolarSpan Naturelite® skylight with minimum of 1 full SolarSpan panels in between,
Unsupported Spans to be reduced by 25%.

NATURELITE
Panel to Skylight
Configuration

2 supporting panels on either side
Each skylight is 200mm
There is no min or max number of
Skylights needed.

Suggestion for using multiple
Skylights

4 Panels/1 skylight. 4200mm
6 Panels/2 skylights 6200mm
8 Panels/3 Skylights 8200mm

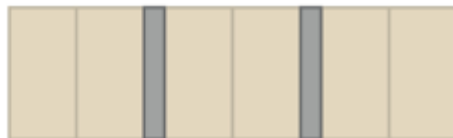
Insulated roofing outer panels can
be trimmed to suit project width

Example Naturelite® Panel Configurations

4 panel wide patio



6 panel wide patio



8 panel wide patio



PATIO KITS ONLINE

patiokitsonline@gmail.com

www.patiokitsonline.com.au

PATIO KIT SELECTION FOR QLD, NSW, VIC

Bondor® SolarSpan® & Solaris® RidgePanel®

Naturelite® Skylight SolarSpan® Naturelite® Skylight Installation Instructions

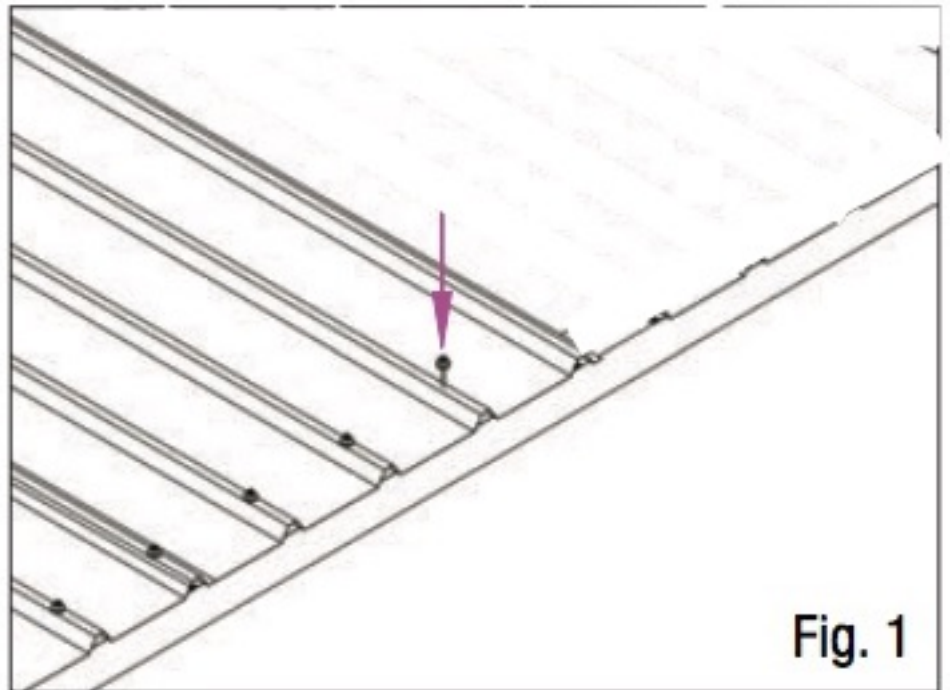
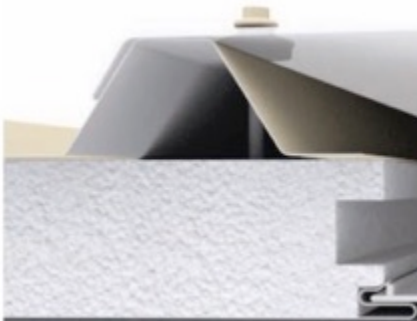
Caution: Metal roofing edges can be sharp; cut resistant gloves, appropriate clothes and shoes, safety glasses and other appropriate PPE should be worn at all time during the installation.

Installation Steps PLEASE NOTE INSTALLATION IS NOT EASY AND NEED AT LEAST 2 TO 3 PEOPLE

A trial run on saw stools is recommended

(Fig. 1)

1. Install & fix into position the SolarSpan® or RidgePanel® insulated roof panels in direction of lay before the first Skylight. This will have the service side exposed.

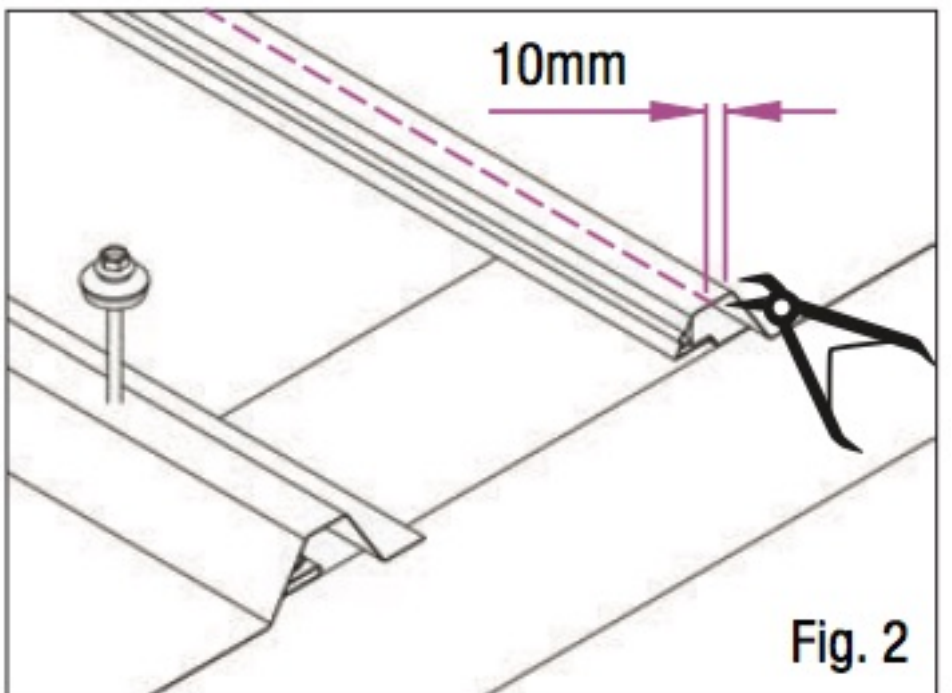


(Fig. 2)

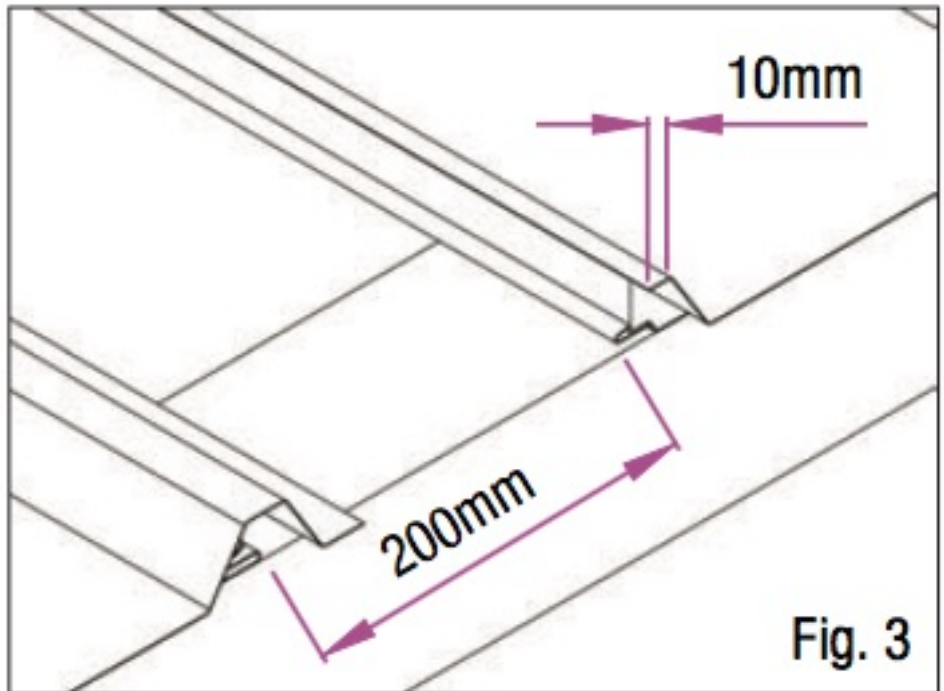
2. Prepare the next insulated roof panel by Precisely cutting all but 10mm off the roof overlap edge for the top skylight to be inserted onto RH Clip. Make sure this edge is clean as the clip will need to be slide or pushed over the cut edge 10mm.

If possible a test run on the ground is advised

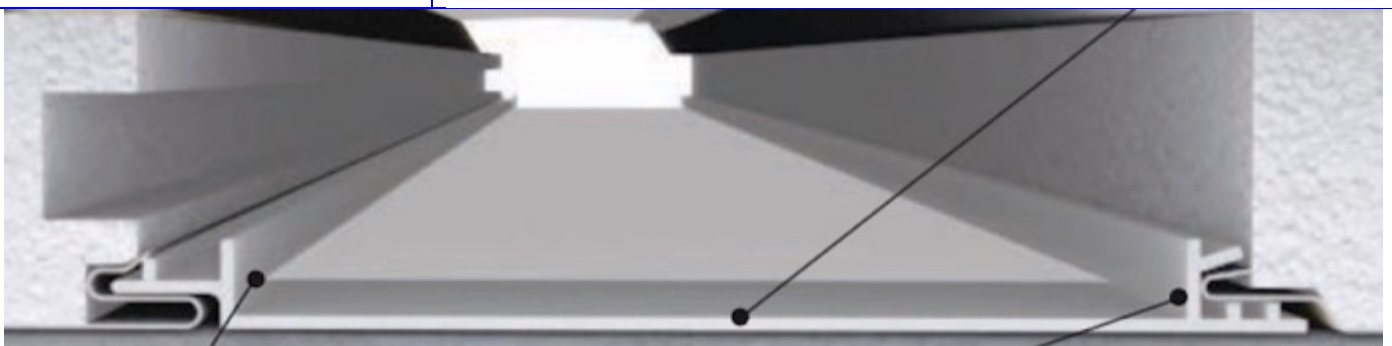
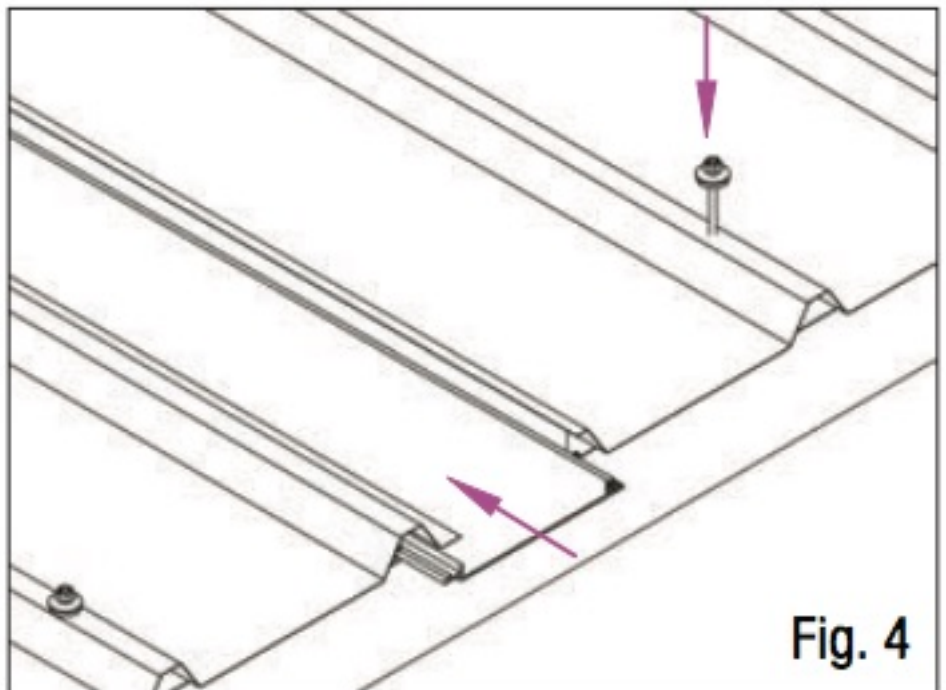
Lap to be cut to 10mm to fit into Top Skylight diffuser



(Fig. 3)
3. Install the next adjoining Insulated roof panel with the 10mm remaining lap in place leaving a gap space of 200mm.
Don't forget to continue to line up ends of panels & measure end of panel to beam to eliminate saw tothing

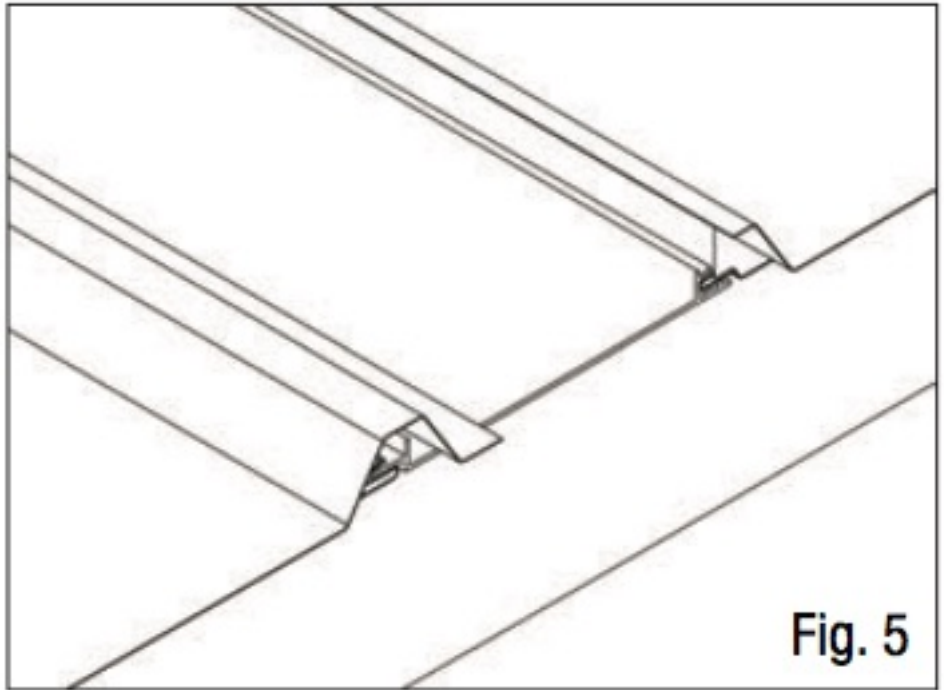


(Fig. 4)
Naturelite® ceiling diffuser panel
4. Slide the Naturelite® ceiling diffuser panel into position between the two insulated roofing panels
Inserting into the female (LH) side & male (RH) insulated roofing panel side.
Continue to line up ends of panels & adjusting panel as needed.
Fix Roof Screw on the 2nd ridge.



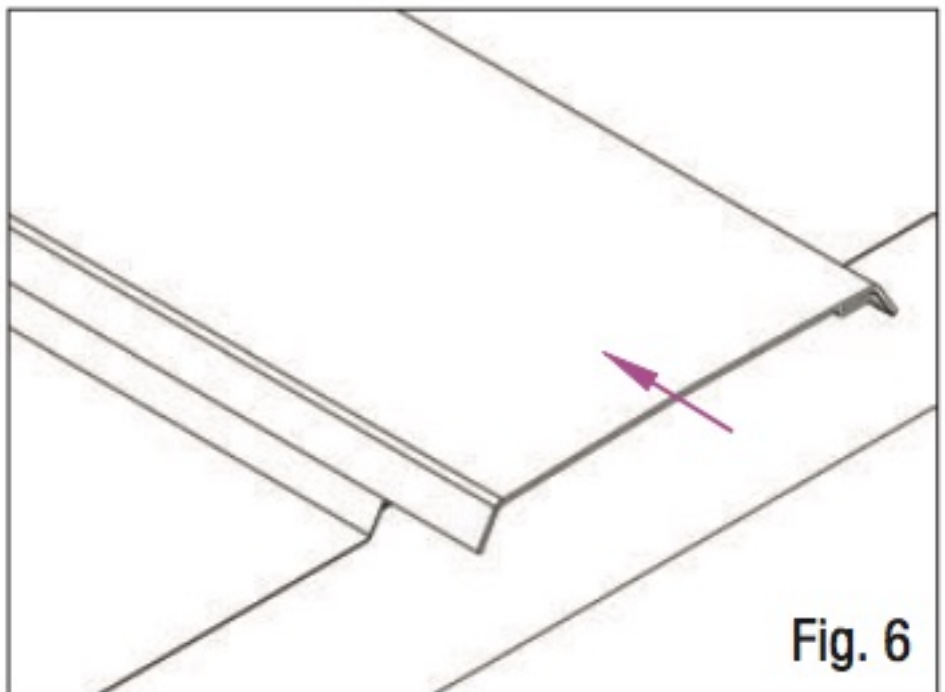
(Fig. 5)
5. Check the ceiling underside is flush & level with both insulated side panels.

Continue to line up end of panels & measure end of panel to beam to eliminate saw tothing

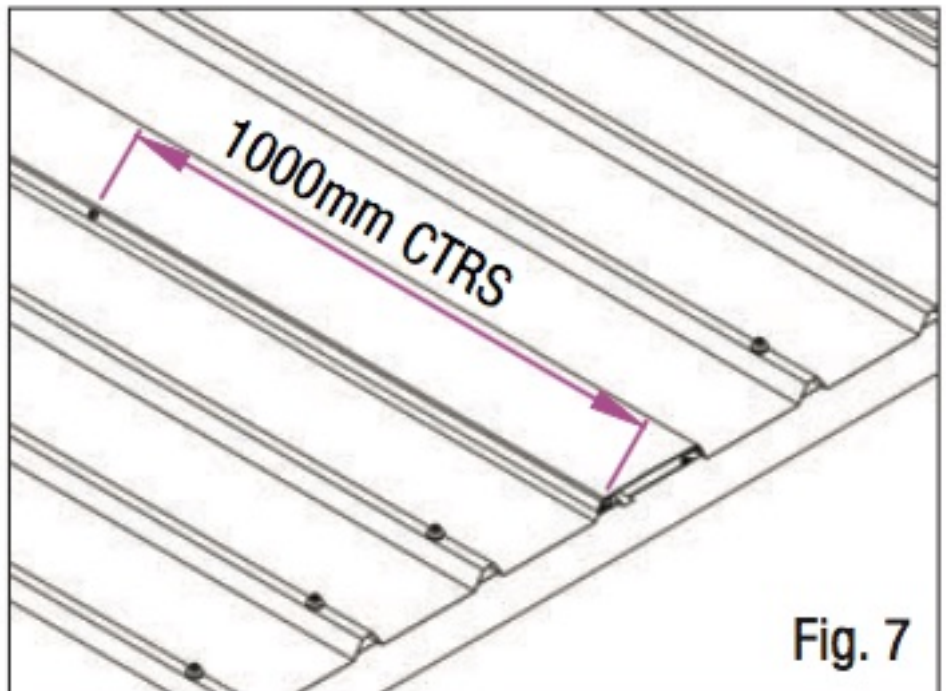


(Fig. 6)
Top Naturelite® skylight roof panel
6. Insert the leading edge of the clip (RH) over the 10mm overlap and & LH lap over the side ridge.
Then slide into position.

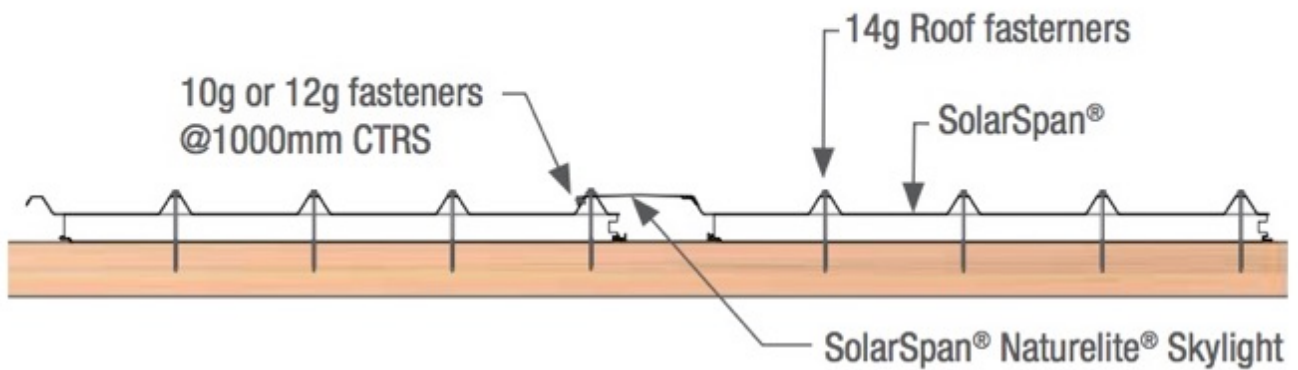
Note, any rough edges may obstruct sliding of panels.
Ensure the non-clip side sits flush on top of the adjoining roof ridge



(Fig. 7)
 Top Diffuser Lap secure
 7. On the over ridge lap side (LH) Come in 1m from end of Insulated roofing panel & then at 1m centers - Predrill oversized holes on the (LH) to secure lap.
 Install 10x16mm fasteners at 1m intervals.



SolarSpan® Naturelite® skylight

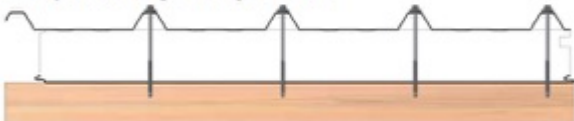


Instruction 8&9 next page

Fixing recommendations

SolarSpan® roofing side laps should be laid away from the prevailing wind and sit neatly on the preceding roof sheet.

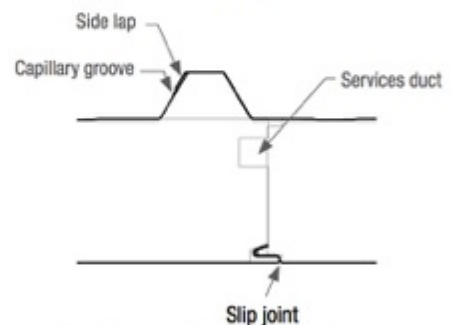
Non cyclonic fixing - through each rib



Screw with cyclone assembly



Lapping



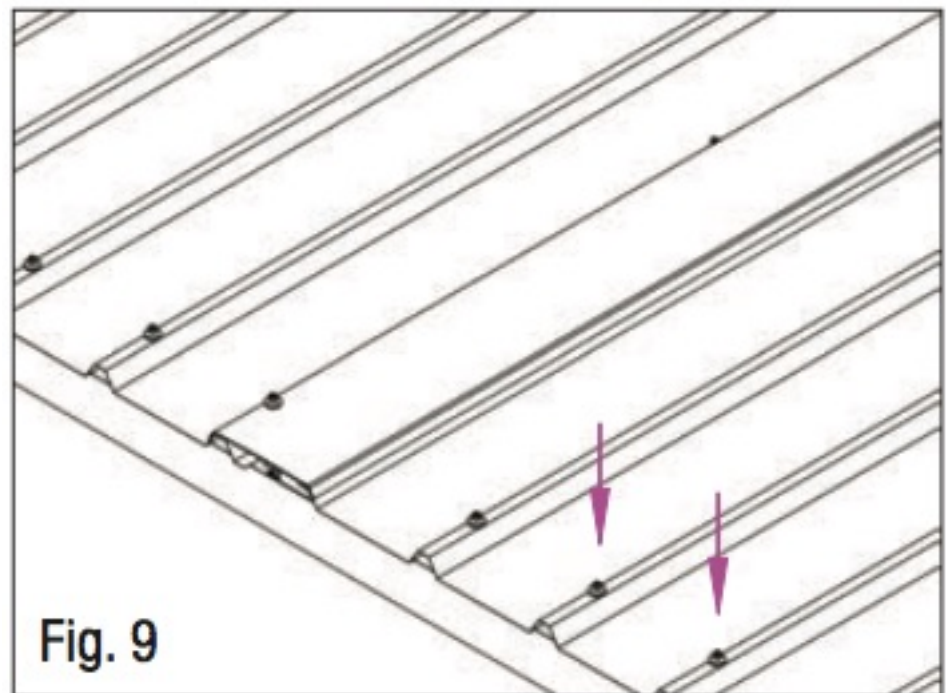
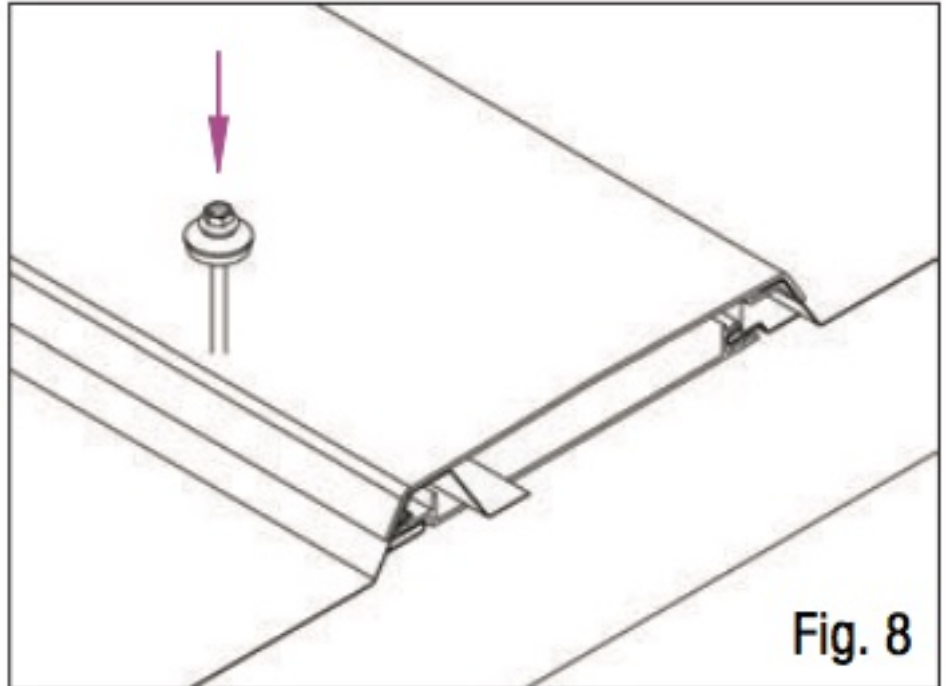
* Fixing to go through adjacent panel's side lap.

Note: Ceiling joint tightness will vary depending on building components, site conditions and manufacturing tolerances.

PATIO KITS ONLINE
patiokitsonline@gmail.com
www.patiokitsonline.com.au
PATIO KIT SELECTION FOR QLD, NSW, VIC
Bondor® SolorSpan® & Solaris® RidgePanel®
Naturelite® Skylight
Installation Instructions continued

(Fig. 8 & Fig. 9)
8&9. On the over ridge lap side
(LH) same as 1m center side)
Predrill oversized holes (8-
9mm) to suit 14g roof screw, in
preparation for fastening the
roof panel to the supporting
beam. Same as ever panel

NO fasteners are required on
the clip side or the underside.



FINISHING OFF

Brush metal swarf & debris clean off the roof at the end of project.

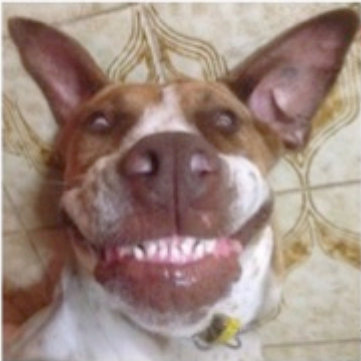
Insert optional profile cut skylight stop ends

Or

Trim as usual once all panels are installed
with High side / (receiver), fascia (Zd) flashing.



PATIO KITS ONLINE a division of
CGL Industries Pty Ltd ACN 630 863 366
ATF The Lepp Trading Trust
ABN 42 546 923 732
www.patiokitsonline.com.au



SOLARIS
A division of Bondor®



Colorbond